

# Disabled Door (Balance type)

## ⦿ Dongbang Eldor

*“Simply open with Light Force to Automatically closes after Passage!”*

Dongbang Eldor product is developed making the best use of those advantages of conventional swing door and sliding door as well as supplementing the disadvantages, which provides the outstanding convenience of passages for wheelchairs requiring the minimal space.

Dongbang Eldor is most suitable for doors at disabled persons for its convenience and comfort of use, and as well appropriate for entrance/exit doors for hospital rooms and welfare facilities.



## ⦿ Feature

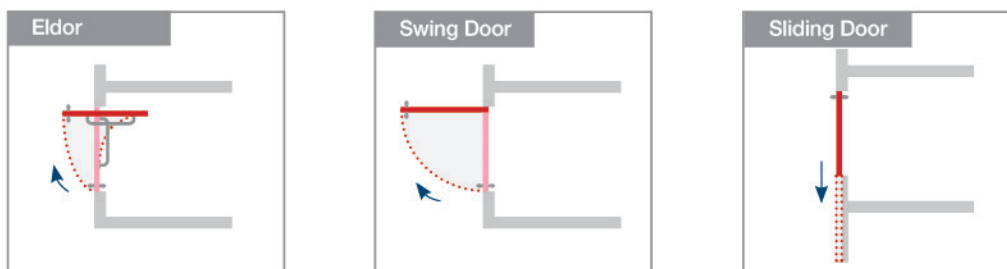
### Safety

Dongbang Eldor product works like avoiding the passing persons when opening & closing the door.



Dongbang Eldor has no rail component on the bottom surface offering the convenience and safety for passages of wheelchairs, patients, elderly and weak persons, and prevents the risk of potential accidents in advance by installing the impact preventing rubber gaskets at both corners of door frames. The pulling type Lever Handle prevents the unexpected opening of door by negligence.

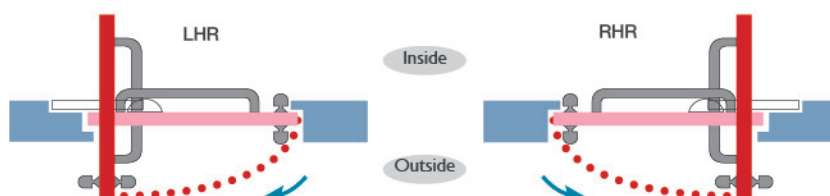
### Only Bit of Small Space Required



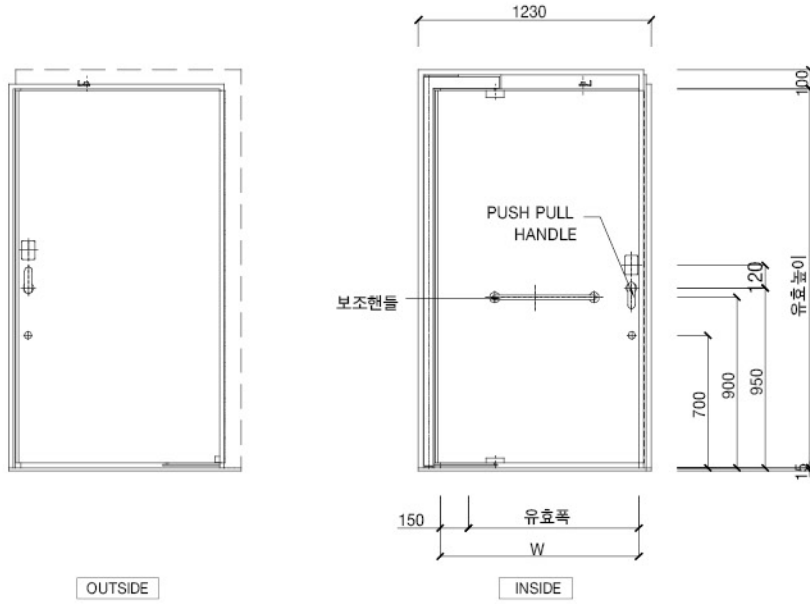
### Convenience

Automatic Closing after Opening with Light Force.

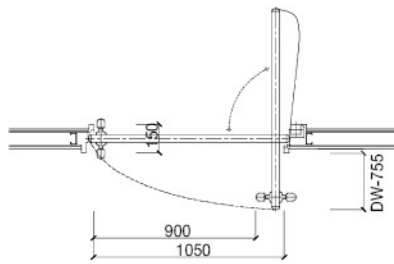
## ⦿ Handing



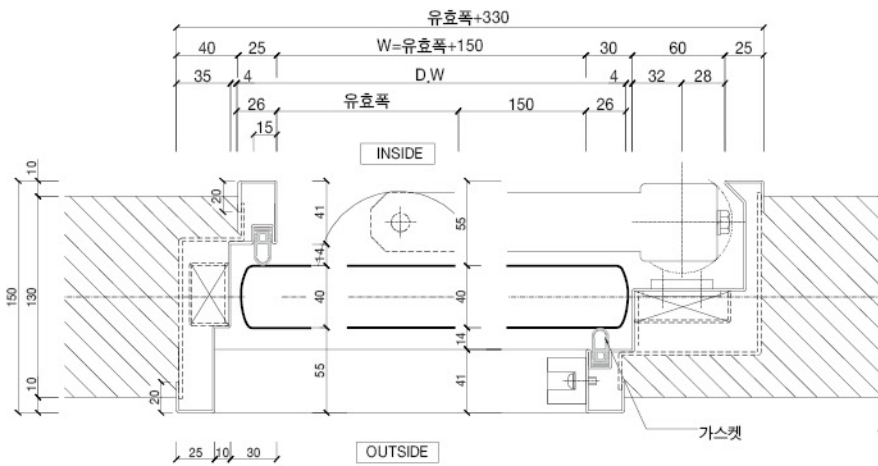
마감도면



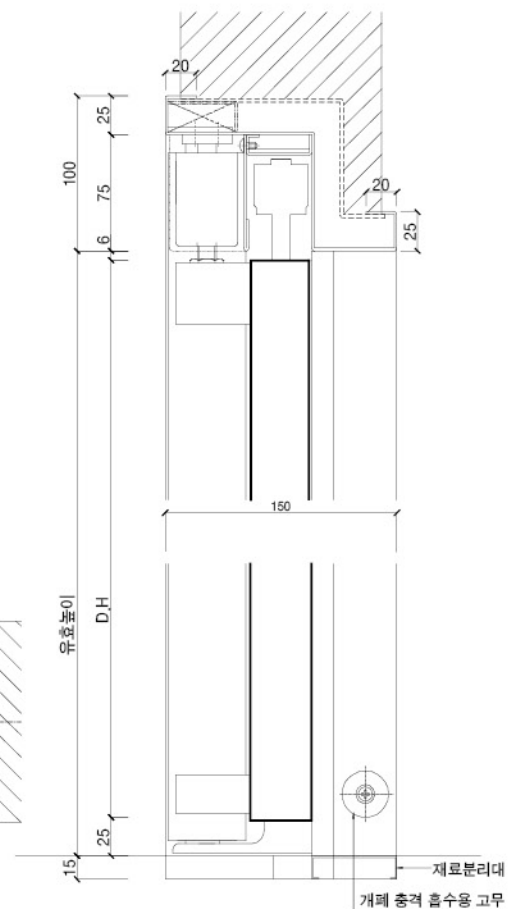
ELEVATION



PLAN



HORIZONTAL SECTION



VERTICAL SECTION